

# USER MANUAL

**remūv**® AIR SUPPLY

**MV600-2**

by

 **CEGA** INNOVATIONS®



# Table of Contents

<b>Symbol Reference</b>	<b>2</b>
<b>Precautions &amp; Intended Use</b>	<b>3-4</b>
<b>Electromagnetic Immunity</b>	<b>5</b>
<b>Parts Identification</b>	<b>6</b>
<b>Product Specifications</b>	<b>7</b>
<b>Transportation &amp; Storage</b>	<b>7</b>
<b>Operating the Air Supply MV600-2</b>	<b>8</b>
<b>Cleaning &amp; Preventative Maintenance</b>	<b>8</b>
<b>Filter Care</b>	<b>9</b>
<b>Infection Control</b>	<b>9</b>
<b>Returns &amp; Repairs</b>	<b>10</b>
<b>Internal Components</b>	<b>10</b>
<b>Warranty Terms and Conditions</b>	<b>11-12</b>
<b>Patents &amp; Re-Order Information</b>	<b>13</b>

# Symbol Reference



REFER TO INSTRUCTION MANUAL/BOOKLET



THIS END UP



TYPE BF APPLIED PART



TEMPERATURE LIMITATION



ALTERNATING CURRENT



HUMIDITY LIMITATION



MANUFACTURER



DATE OF MANUFACTURE



KEEP DRY



CAUTION



ON (power)



OFF (power)



CLASS II



NOT MADE WITH NATURAL RUBBER LATEX



CHECK YOUR LOCAL/STATE/FEDERAL/  
INTERNATIONAL GUIDELINES BEFORE DISPOSAL.



120 V~, 60Hz, 10A

Complies with: ANSI/AAMI UL 60601-1 3rd Ed.,

CSA C22.2 No. 60601-1-1:14

# Precautions and Intended Use

The Air Supply MV600-2 is intended for use with the REMUV™ Air Mat and REMUV™ LP in hospitals and long-term or extended care facilities for the lateral transfer of patients from one bed surface to another.

## INTENDED USE

The caregiver/operator is the person handling the equipment.  
The patient is not the intended operator.

1. Read and understand these instruction before using this device.
2. Never leave patient unattended on an inflated device.
3. Use this product only for its intended purpose as described in this manual and the REMUV™ or REMUV™ LP User Guide. Only use attachments and/or accessories that are authorized by CEGA Innovations®.
4. Route the power cord to avoid hazard.
5. Avoid blocking air supply intakes.
6. When using the air supply in the MRI environment, a 25-ft. MRI hose is required (available for purchase).
7. Avoid electric shock. Do not open the air supply. Do not attempt service or maintenance while the air supply is in use.
8. NOTE: REFERENCE REMUV™ USER GUIDE FOR OPERATING INSTRUCTIONS PRIOR TO USE.
9. Do not use the Air Supply MV600-2 in damp conditions.
10. Do not use the Air Supply MV600-2 if it is wet.
11. Wipe down the Air Supply MV600-2 with any facility approved cleaning agent only after unplugging the product from the electrical outlet.
12. Never use the Air Supply MV600-2 if any part of the electrical cord or plug is damaged. Never attempt repairs on your own. See pages 11-13 for warranty and order information.
13. Operator must observe patient while the Air Supply MV600-2 is in use.
14. Position equipment for easy disconnection from power supply.
15. Not for use in an oxygen-enhanced environment.
16. Not for use in the presence of flammable anesthetics.
17. Avoid spillage, leakage, and ingress of liquids.



**WARNING:** To avoid the risk of electric shock, this equipment must only be connected to a supply main with a protective earth ground connection.



**WARNING:** The Air Supply MV600-2 is not compatible with DC power supplies.



**WARNING:** The Air Supply MV600-2 is intended only for use with the REMUV™ product line.



**WARNING:** Risk of explosion in the presence of flammable anesthetics.



**WARNING:** No modification of this equipment is allowed.



**WARNING:** Use of this equipment adjacent to or stacked with other equipment should be avoided due to risk of improper operation. If such operation is unavoidable, this equipment and the other equipment must be observed to verify that all equipment operates normally.



**WARNING:** Use of accessories, transducers and cables other than those specified or provided by the manufacturer of this equipment may result in increased electromagnetic emissions or decreased electromagnetic immunity of this equipment and result in improper operation.



**WARNING:** Portable RF communications equipment (including peripherals such as antenna cables and external antennas) should be used no closer than 30 cm (12 inches) to any part of the Air Supply MV600-2, including cables specified by the manufacturer. Failure to comply with this warning may result in degradation of the performance of this equipment.

**NOTE:** The EMISSIONS characteristics of this equipment make it suitable for use in industrial areas and hospitals (CISPR 11 class A). If the equipment is used in a residential environment (CISPR 11 class B is normally required) this equipment might not offer adequate protection to radio-frequency communication services. The user may need to take mitigation measures, such as relocating or re-orienting the equipment.

## Electromagnetic Emissions

The Air Supply MV600-2 is intended for use in the electromagnetic environment indicated below.

RF Emissions CISPR 11: Group 1

FR Emissions CISPR 11: Class A

Harmonic Emissions: Class A

Voltage Fluctuations/Flicker Emissions: Compliant

**NOTE:** The Air Supply MV600-2 should be used in the following environmental conditions with: (a) an ambient temperature range of + 10 °C to + 40 °C, (b) a relative humidity range of 30% to 75%, and (c) a standard atmospheric pressure environment.

**NOTE:** Any equipment RF emissions will not likely cause interference with nearby electronic equipment.

# Electromagnetic Immunity

The Air Supply MV600-2 is intended for use in the electromagnetic environment only as indicated below.

IMMUNITY TEST	IEC 60601 TEST LEVEL	COMPLIANCE LEVEL
Electrostatic Discharge (ESD)	± 6 kV contact ± 8 kV air	± 6 kV contact ± 8 kV air
Electrical Fast Transient/Burst	± 2kV for power supply lines ± 1kV for input/output lines	± 2kV for power supply lines Not applicable
Surge	± 1kV line(s) to line(s) ± 2kV line(s) to earth	± 1kV differential mode Not applicable
Voltage Dips Short Interruptions Voltage Variations on Power Supply Input Lines	<5% UT (>95% dip in UT) for 0,5 cycle 40% UT (60% dip in UT) for 5 cycles 70% UT (30% dip in UT) for 25 cycles <5% UT (>95% dip in UT) for 5 s	<5% UT (>95% dip in UT) for 0,5 cycle 40% UT (60% dip in UT) for 5 cycles 70% UT (30% dip in UT) for 25 cycles <5% UT (>95% dip in UT) for 5 s
Power Frequency (50, 60 Hz) Magnetic Field	3 A/m	3 A/m

**\*UT is the AC Mains Voltage prior to application of the test.**

**NOTE:** The Air Supply MV600-2 should be used in the following environmental conditions with: (a) an ambient temperature range of + 10 °C to + 40 °C, (b) a relative humidity range of 30 % to 75 %, and (c) a standard atmospheric pressure environment.

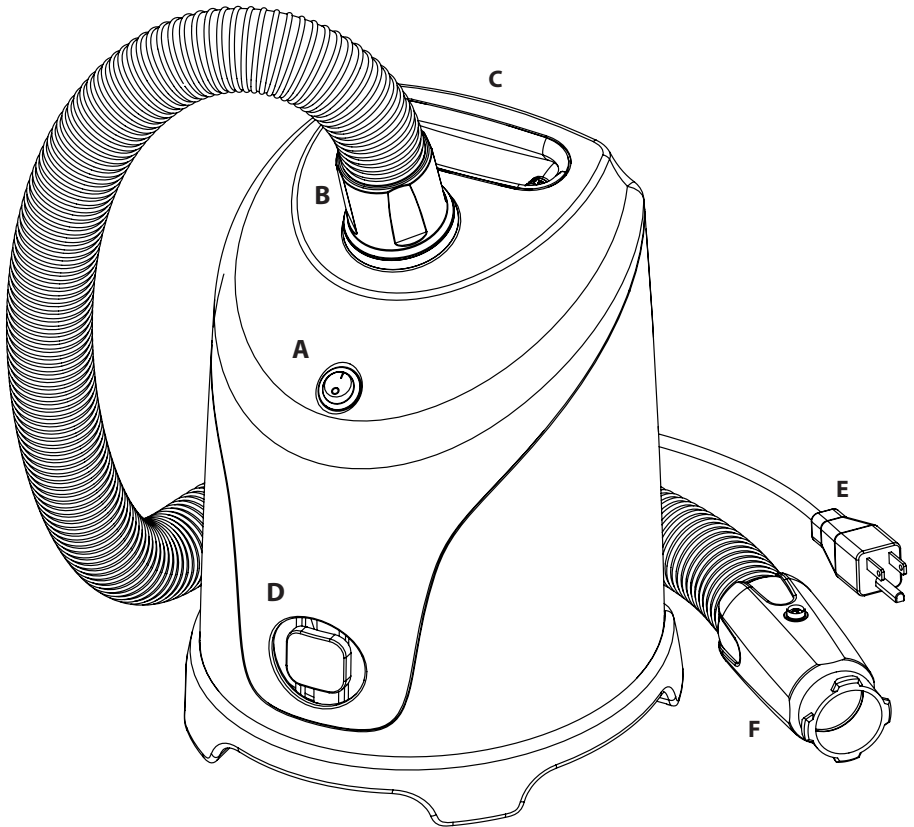
**NOTE:** This equipment is intended to functionally operate under conditions where power quality is that of a normal hospital environment.

**NOTE:** The Air Supply MV600-2 has been designed and manufactured to emit power frequency magnetic fields at levels characteristic of a typical setting in a hospital environment.

# Parts Identification

## Air Supply MV600-2

- A. Power Switch
- B. Hose Connection
- C. Carry Handle
- D. Air Intake
- E. Power Cord
- F. Adapter





# Product Specifications

Dimensions: 15 x 10 x 9" (38 x 25 x 23 cm)

Weight: 12 lbs (5.4 kg)

Housing Material: Fire Retardant PP and PC

Power Cord: 15 ft. (457 cm), 16 AWG, Hospital Grade

Service Life: 5 years

Power Input: 120V~, 60Hz, 10A

Power Output: 1100-1200 Watts

Air Flow Output: 3psi, 80 cfm

Warmed Air: Less than 105 F after 10 minutes use at room temperature

Noise level: Less than 80 dB (measured at 1 meter)

Filter: Standard 2 Micron Air Filter Sock type (HEPA Air Filter available)



**Not made with natural rubber latex**

Type of protection against electric shock: CLASS II EQUIPMENT

Degree of protection against electric shock: TYPE BF APPLIED PART

Protection against ingress of water: ORDINARY (not protected).

Duty Cycle: 30 sec ON, 1 min OFF, 5 cycles with 30 min rest period

To remove supply mains, unplug equipment from wall.

## Transportation & Storage

The Air Supply MV600-2 may be stowed under the stretcher or table when in use. The Air Supply MV600-2 should be stored where it can be conveniently accessed between uses (See Precautions and Intended Use.)

Use Temperature: 50° to 104° F (10° to 40° C)

Use Humidity: 30% to 75% Non-Condensing

Use Altitude: 6,562ft / 2,000m

Operating atmospheric pressure: 700 to 1,060 hPa

Storage/Shipping Temperature: -40° to 158° F (-40° to 70° C)

Storage/Shipping Humidity: 10% to 70% Non-Condensing

### CIRCUIT BREAKER

Fuse Type: Cartridge, Glass

Voltage Rating - 125/250 VAC

Current: 12A

Response Time: Fast

Breaking Capacity at Rated Voltage: 1kA

Size: 6.3mm x 32mm

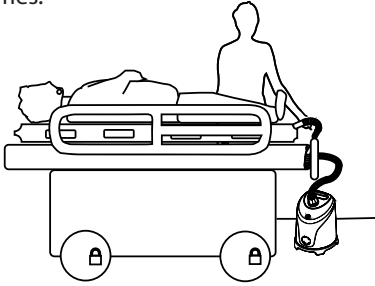
## Operating the Air Supply MV600-2

1. Ensure the power switch is in the off (o) position.
2. Plug the air supply into a 120VAC power outlet.
3. Connect the air supply hose to the REMUV™ Air Mat.
4. Turn the Power Switch at the top of the Air Supply MV600-2 to the on (I) position (one power output with continuous flow).
5. Turn the Power Switch at the top of the Air Supply MV600-2 to the off (o) position after use.
6. Disconnect the air supply hose from REMUV™ Air Mat.
7. Unplug the air supply power cord from wall outlet and store.

**NOTE:** Duty Cycle: 30 sec ON, 1 min OFF, 5 cycles with 30 min rest period



**WARNING:** The Skin Integrity Pad or other hospital-approved skin protection barrier must be used between the patient and the REMUV™ Air Mat at all times.



**FIG. 8.1** Orientation of Operator & Patient during normal function of the Air Supply MV600-2.

## Cleaning & Preventative Maintenance

Ensure the Air Supply MV600-2 is unplugged from power source before performing any cleaning or preventative maintenance.

Between uses, clean the Air Supply MV600-2 by wiping it down with hospital-grade disinfectant wipes. The manufacturer recommends the use of CaviWipes® or an equivalent quaternary ammonium compound surface disinfectant wipe. If hospital-protocol approved, a bleach-based disinfectant may be used. For best results, follow the wipe manufacturer's recommended instructions for use. Do not spray cleaners directly on the Air Supply MV600-2. Follow all Precautions and Intended Use.

Prior to use, visually inspect the Air Supply MV600-2 to ensure the power cord is not frayed or damaged and there is no visual damage that may render the air supply unsafe or inoperable.

If any damage is found that may cause the air supply not to function as intended, the air supply should be removed from use and returned to your authorized vendor for repair.

## Filter Care & Replacement

Filter cleaning schedules are dependent upon the amount of use and the operating environment. The manufacturer recommends replacing the filter every year. Contact the manufacturer for further cleaning instructions.

## Infection Control

If using the Air Supply MV600-2 in a patient room where isolation protocols are being observed, follow the same protocols/procedures for this equipment that is used for other equipment in that patient room.

NOTE: The filter has a standard 2-micron filtration threshold and may not be appropriate for cross-patient use under isolation protocols. The hospital must use its own standards when determining whether to use this equipment in this environment and/or protocol.

HEPA Air Filters compatible with the air supply may be purchased separately.



NOTE: CHECK YOUR LOCAL/STATE/FEDERAL/  
INTERNATIONAL GUIDELINES BEFORE DISPOSAL.



# Returns & Repairs

CAUTION: NO USER SERVICEABLE PARTS.

Only qualified service personnel are authorized to perform repairs on the MV600-2. (Replacement of power cord, air hose, and air filter does not require qualified service personnel.)

Units with damaged hoses or cords or any other physical damage should be taken out of service immediately. See Warranty Terms & Condition (p. 11-12) for return and repair information. See Re-Order Information (p. 13) for replacement of parts.



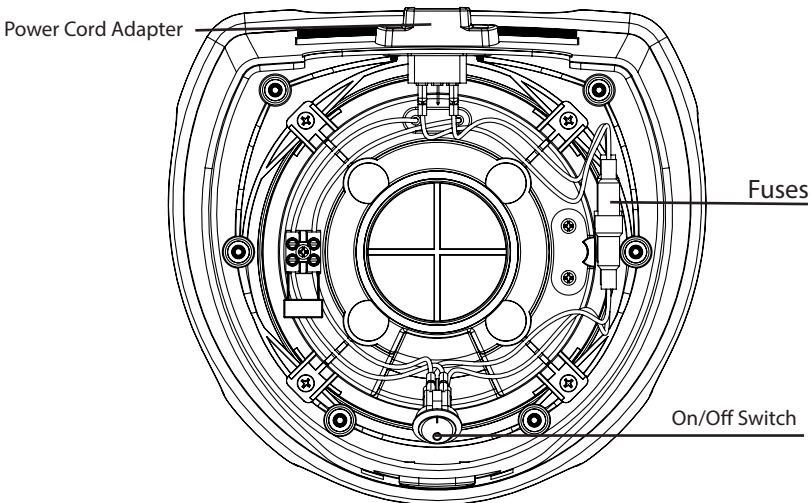
No repairs on the air supply should be conducted while the air supply is plugged in.

Filter cleaning & replacement may be conducted by service personnel.

## Internal Components

Fuse location is shown for reference only. Contact the manufacturer or authorized vendor for repair of damaged parts.

### Top View



No modification of this equipment is allowed without written consent of the manufacturer.

# Warranty Terms & Conditions

CEGA Innovations®, Inc., hereafter “CEGA®”, warrants to the original purchaser that the Air Supply System (and parts thereof) will be free of defects in workmanship or material for a period of one year from the date of delivery. Should any failure to conform to this warranty appear, CEGA® shall upon notification within such time period, correct such non-conformity, at its option, either by repairing any defective part or parts, or by replacing a part or parts with an equivalent or current version of the owner’s model, provided that the equipment is returned to CEGA®. In all cases freight both ways will be at the expense of the customer. Equipment shall not be returned without advance notice to and consent of CEGA®.

Correction of non-conformities or defects in the manner and for the period of time provided above shall constitute fulfillment of all liabilities of CEGA® to the customer, whether based on contract, negligence or otherwise with respect to, or arising out of, such equipment. The remedies set forth herein are exclusive, and the total liability of CEGA® with respect to this sale or anything done in connection therewith, whether in contract, in tort, under any warranty, or otherwise, and shall not, except as expressly provided herein, exceed the price of the equipment or part on which such liability is based.

## **This warranty is subject to the following exceptions and limitations:**

This warranty does not cover repairs due to normal wear and tear, accident, neglect, misuse or abuse, incorrect installation or use other than as described in the User Guide. Breaks in hoses and cables are not covered. This warranty is rendered void if the motor number plate is removed or defaced or if repairs are made or attempted by persons not authorized by CEGA®.

Even if any covered products are beyond the warranty period, we suggest you contact CEGA® or your supplier for repair and replacement information.

CEGA® assumes no liability for malfunction or damage to any unit or components thereof, caused by the use of consumables other than those manufactured, provided, or recommended by CEGA®.

CEGA® assumes no liability for the malfunction or damage to any unit or components thereof, due to the use of reagents, chemicals, or combinations thereof, not recommended by CEGA®, or as otherwise recommended in the User Guide.

# Warranty Terms & Conditions

## **This warranty is subject to the following exceptions and limitations:**

CEGA® reserves the right to make changes in design of the REMUV™ Product Line without obligation to incorporate such changes into previously manufactured items offered by CEGA®.

Notwithstanding any of the foregoing, a 90-day limited warranty is offered by CEGA® for the REMUV™ Air Mat and Skin Integrity Pad. In the event a REMUV™ Air Mat or Skin Integrity Pad fails due to a manufacturing or workmanship defect and the purchaser contacts CEGA® within 90-days of the original purchase date and provides documentation of the defect within the same period, CEGA® shall replace the REMUV™ Air Mat and Skin Integrity Pad.

No other warranty, express or implied, is offered by CEGA® for the REMUV™ Air Mat, Air Supply, or REMUV™ Air Delivery System and any and all other warranties, express or implied, are specifically excluded.

UNLESS OTHERWISE SPECIFICALLY INCLUDED IN THIS OR ANY PRIOR AGREEMENT, TERMS AND CONDITIONS, AND/OR WARRANTY, CEGA® SHALL NOT BE RESPONSIBLE FOR ANY ACTUAL DIRECT, INDIRECT, CONSEQUENTIAL, SPECIAL, INCIDENTAL, EXEMPLARY OR PUNITIVE DAMAGES OF ANY KIND OR NATURE, INCLUDING LOST PROFITS AND LOST BUSINESS REVENUE, ARISING OUT OF OR RELATED TO THE USE OF PRODUCTS OFFERED OR SOLD BY CEGA®, REGARDLESS OF WHETHER SUCH LIABILITY IS ASSERTED ON THE BASIS OF BREACH OF CONTRACT (EVEN IF A FUNDAMENTAL BREACH), BREACH OF WARRANTY (EXPRESS OR IMPLIED), TORT (INCLUDING THE POSSIBILITY OF NEGLIGENCE, MISREPRESENTATION OR STRICT LIABILITY), OR OTHERWISE.

**Purchaser may contact CEGA® by emailing [sales@cegaco.com](mailto:sales@cegaco.com) for warranty service, assistance, most up to date instructions for use, or further instructions for use of the REMUV™ Product Line.**

# Patents

In accordance with Section 287(a) of Title 35 of the United States Code, the reader is hereby placed on notice of CEGA Innovations's rights in the United States Patents and Patents Pending for the REMUV™ Air Mat, Air Supply, Skin Integrity Pad, and Air Delivery System.

For the most current patent information, visit [cegaco.com/patents](http://cegaco.com/patents)

Additional Patents Pending

## Reorder Information

**REMUUV™ LP**

Order #: MV820

**REMUUV™ Air Mat:**

Order #: MV800

**Skin Integrity Pad**

ORDER #: MV261 (as sold separately)

**Air Supply**

ORDER #: MV600-2

**Hose**

ORDER #: MV660

**Air Supply Power Cord**

ORDER #: MV600-C15

**Air Filter**

ORDER #: MV600F

**Air Supply HEPA Filter**

ORDER #: MV600HF

**Air Supply Hose Adapter**

ORDER #: MV670

Please contact CEGA Innovations® with any questions regarding the specifications, use, limitations, or cleaning/maintenance of the Air Supply MV600-2:

CEGA Innovations, Inc.

**Web:** [cegaco.com](http://cegaco.com)

**Email:** [sales@cegaco.com](mailto:sales@cegaco.com)

**Phone:** 1.800.440.5605

**Fax:** 1.605.271.9245

**Address:** 4920 E 57th St.

Sioux Falls, SD 57108 U.S.A.

(For the most current edition of this document, visit [cegaco.com/ifu](http://cegaco.com/ifu))



**CEGA Innovations®, Inc.**  
**Sioux Falls, SD 57108**  
**1-800-440-5605**  
**[cegaco.com](http://cegaco.com)**

**© 2018 CEGA Innovations®, Inc.**